



ATLAS 6x Hard Disk Kit Installation Guide

Teldat-Dm 573-I

Copyright© Version 2.2 Teldat S.A.

Legal Notice

Warranty

This publication is subject to change.

Teldat S.A. offers no warranty whatsoever for information contained in this manual.

Teldat S.A. is not liable for any direct, indirect, collateral, consequential or any other damage connected to the delivery, supply or use of this manual.

Table of Contents

Chapter 1	Getting Started	1
Chapter 2	Mounting the Hard Drive	3
Chapter 3	Licensing the device	4
3.1	Check if the router has the license	4
3.2	How to obtain a license	4
Chapter 4	Installing the OS	5
4.1	Connect the router to Internet	5
4.2	Network settings for the Linux Server	5
4.3	Check the Linux Server boot options	5
4.4	Launch the installer	5
4.5	Boot the Linux Server	6
4.6	Checking the Installation.	6
Chapter 5	Copyright	8

Chapter 1 Getting Started



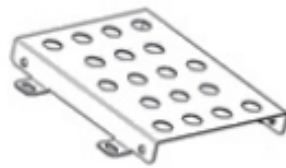
Thank you for purchasing a Teldat HDD compatible with an ATLAS 6x router.

The ATLAS 6x Hard Disk Drive Kit includes the components shown in the figure below.

Please handle the hard drive with care during unpacking and mounting.



Hard Disk Drive



Mounting bracket



Mounting screws



Packing list

Fig. 1: Box contents

Hard drives can be damaged by rough handling, shock and vibration or electrostatic discharges. Please consider the following tips when unpacking and handling the HDD kit:

- Avoid extreme temperatures.
- Do not drop, bump or shake the HDD, hold it by the sides while handling.
- Do not touch the printed circuit board assembly with your hand or tools.
- Always use proper grounding procedures. Grounding straps must be in contact with your skin.
- Do not stack hard drives or place anything on top of them

The next sections describe the steps to be followed for the device to be fully operational:

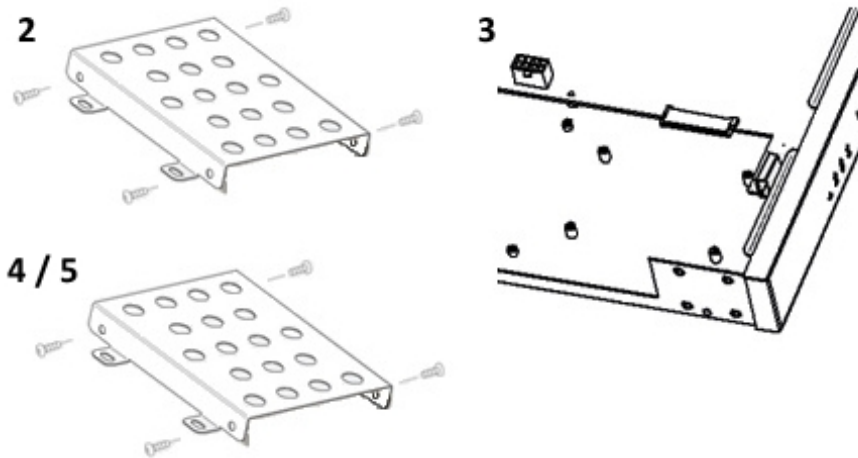
- (1) First, mount the HDD on the ATLAS i6x

- (2) Second, obtain the necessary license.
- (3) Finally, install the operating system.

Chapter 2 Mounting the Hard Drive

This section describes how to physically install the hard drive in your ATLAS 60 router.

Please follow these installation steps:



- (1) Remove the ATLAS 60 top cover
- (2) Screw the HDD to the mounting bracket provided
- (3) Locate the place for the HDD in the front left zone of the router
- (4) Attach the HDD with the mounting brackets to the SATA connector on the ATLAS 60
- (5) Screw the mounting bracket to the ATLAS 60 chassis
- (6) Replace the ATLAS 60 top cover

Chapter 3 Licensing the device

For the device to operate, an “Application Server” license must be installed in the router.

3.1 Check if the router has the license

Please check that your device has the license by accessing the router’s command line terminal. The current device license can be found in the welcome message:

```
Router model ATLASi60 IPSec SNA VoIP T+ 28 92 CPU QorIQ Px020 S/N: 757/001493 LAN, 2 GPRS Lines
```

If your device model is an ATLASi60, it already has the required license. If the device model is an ATLAS60, or a general ATLAS6x, you must obtain a new license for it.

3.2 How to obtain a license

Please contact your sales representative to obtain a suitable “Application Server” license for your device.

You will need to provide the device's serial number and the current licensed options.

You will then receive a license file to be uploaded to the device for upgrading purposes.

Chapter 4 Installing the OS

This section will help you install the Linux Operating System on your device's HDD. First, you must:

4.1 Connect the router to Internet

Configure the router so that it can access the Internet. Depending on your network scenario, you may have to use the router's CLI to perform a setup and grant the router access to Teldat's Internet Servers (where the Operating System Image and packages are located).

4.2 Network settings for the Linux Server

You must configure the "feature vli" section of your router with a proper IP address and a DNS server. These are the network settings for the Linux Operating System:

```
*config
>feature vli
>application address <linux_server_ip_address>
>application dns-server <dns_server_ip_address>
>exit
>save yes
```

4.3 Check the Linux Server boot options

In order to install a new device, the "Application Server" boot must be disabled. Open the router's terminal and enter:

```
*monitor
+feature vli
+application boot device none
+application list
No application running
Next boot configuration: No application
Automatic reload after installation: OFF.
No Application installer found
Device          App Installed      Description
-----
-----
```

Make sure that "No application" appears under the "Next boot configuration" option and then restart the device.



Note

If the software is already installed in your hard drive and you do not want to reinstall it, just jump to section *Boot the Linux Server* on page 6.

4.4 Launch the installer

The installer must be launched from the router's terminal by entering:

```
*monitor
+feature vli
+application install device hdd from url http://cloudcenter.teldat.com/install/images/tdlta-i6x-latest-std.iso
```

Please note that the whole process can take between 30 and 60 minutes, depending on the Internet connection speed. Once the installer has been launched, some progress messages will appear on the terminal.

```
Install: begin/new_installation
```

```
[OK]
```



```

Install: image/downloading_iso_image [OK]
Install: prepare/runnig_init [OK]
Install: hw-detect/detect_progress_step [OK]
Install: partman/progress/init/fallback [OK]
Install: partman-auto/progress/info [OK]
Install: partman-basicfilesystems/progress_formatting_mountable [OK]
Install: base-installer/section/cleanup [OK]
Install: apt-setup/progress/volatile [OK]
Install: debian-installer/pkgsel/title [OK]
Install: pkgsel/progress/init [OK]
Install: pkgsel/progress/kdesudo [OK]
Install: pkgsel/progress/fallback [OK]
Install: pkgsel/progress/laptop-detect [OK]
Install: pkgsel/progress/fallback [OK]
Install: pkgsel/progress/install-hwpackages [OK]
Install: pkgsel/progress/fallback [OK]
Install: pkgsel/progress/save-logs [OK]
Install: pkgsel/progress/fallback [OK]
Install: pkgsel/progress/popcon [OK]
Install: pkgsel/progress/fallback [OK]
Install: pkgsel/progress/tasksel [OK]
Install: pkgsel/progress/cleanup [OK]
Install: finish-install/progress/umount [OK]
Install done!

```

If the terminal closes due to inactivity, the process carries on in the background. Progress can be still monitored from the terminal by entering:

```

*monitor
+feature vli
+application list

```

When the process has finished, the following will appear:

```

No application running
Next boot configuration: No application
Installation finished on hdd. Reboot required.
Automatic reload after installation: OFF.
No Application installer found
Device          App Installed      Description
-----  -
hdd          tdlta-i6x-1.0.3.1-std  250.0 GB - Hard Disk Drive - WDC WD2500BUDT-63DPZY0

```

4.5 Boot the Linux Server

Once installation has been successful, you must setup the device to boot from the recently installed OS. Enter the following in the router's terminal:

```

*monitor
+feature vli
+application boot device hdd
+exit
+restart yes

```

4.6 Checking the Installation

The Linux Server has an embedded web management utility. To access it, please use an Internet browser and enter:

```
http:// <linux_server_ip_address>:8080/
```

The device login and welcome page will appear:



Chapter 5 Copyright

Copyright © 2013 Teldat, S.A. All rights reserved

The information and specifications with regard to all products mentioned in Teldat's manuals may be changed at any time without prior notice. While all information, statements and recommendations are believed to be accurate, Teldat assumes no responsibility and provides such information without any kind of warranty either expressed or implied. Customers and users must assume full responsibility for their application of any products.

Teldat makes no warrant that the software is error free or that the customer or user will be able to operate the said software without interruptions or problems.

Under no circumstances will Teldat or its suppliers be liable for any lost revenue, profits, business, information or data or any other financial loss, or for any direct, indirect, special, incidental, consequential or punitive damages however caused and regardless of the theory of liability arising out of the use – or the inability to use - the product and material even if Teldat and its suppliers were advised of the possibility of such damages.

Under no circumstances shall Teldat's or its suppliers liability to the Customer or user, whether based in contract, tort (including negligence) exceed the price paid by the Customer or user. The foregoing limitations apply even if the warranty herein fails of its essential purpose.

Notwithstanding any other warranty herein. All material, document files and software is provided "as is" including all faults and does not constitute a warranty of any kind, either expressed or implied. Teldat and its suppliers disclaim all warranties, expressed or implied including and not limited to implied warranties of merchantability, fitness for a particular purpose and non-infringement and includes any expressed or implied warranties arising from any course of dealing, usage or trade practice.

In no event shall Teldat or its suppliers be liable for any direct, indirect, special, incidental or consequential damages arising out of the use or inability to use Teldat's Manuals. This includes without limitation loss or damage to data or loss of profits even if Teldat or its suppliers were advised of the possibility of such damages.

P/N: RCATA6XHD160/ RCATA6XHD250 / RCATA6XHD512 / RCATA6XHD1T